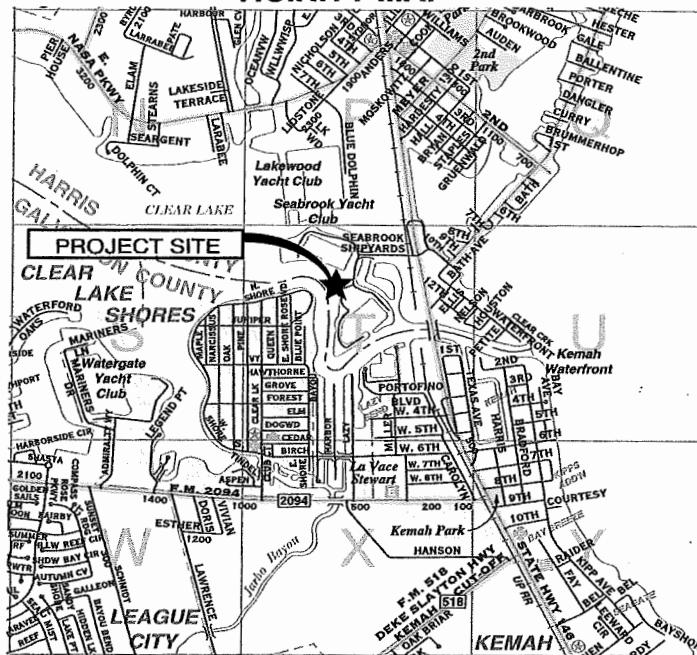


**VICINITY MAP**



**KEY MAP 620-T**

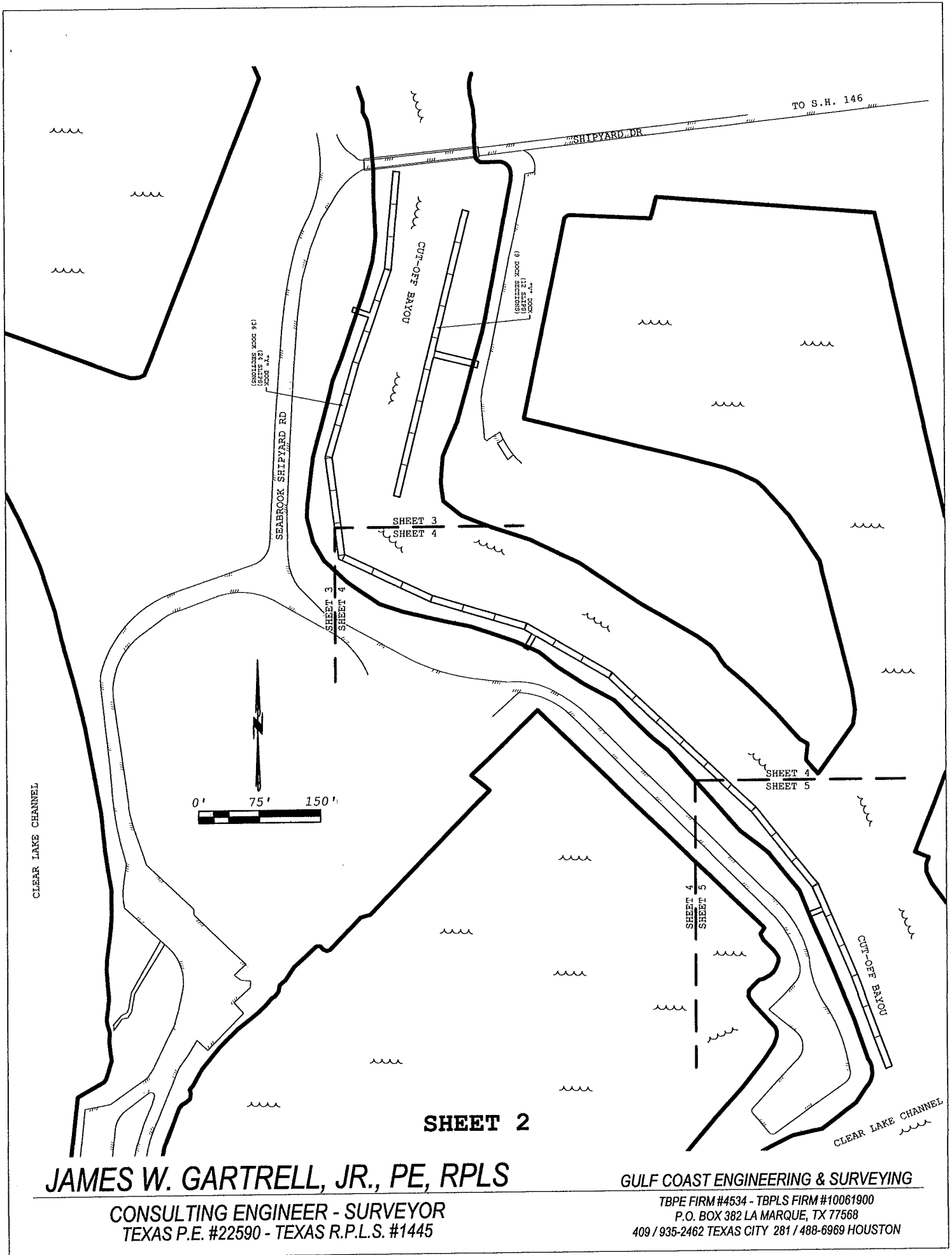
**VICINITY MAP  
SHEET 1**

**JAMES W. GARTRELL, JR., PE, RPLS**

CONSULTING ENGINEER - SURVEYOR  
TEXAS P.E. #22590 - TEXAS R.P.L.S. #1445

**GULF COAST ENGINEERING & SURVEYING**

TBPE FIRM #4534 - TBPLS FIRM #10061900  
P.O. BOX 382 LA MARQUE, TX 77568  
409 / 935-2462 TEXAS CITY 281 / 488-6969 HOUSTON

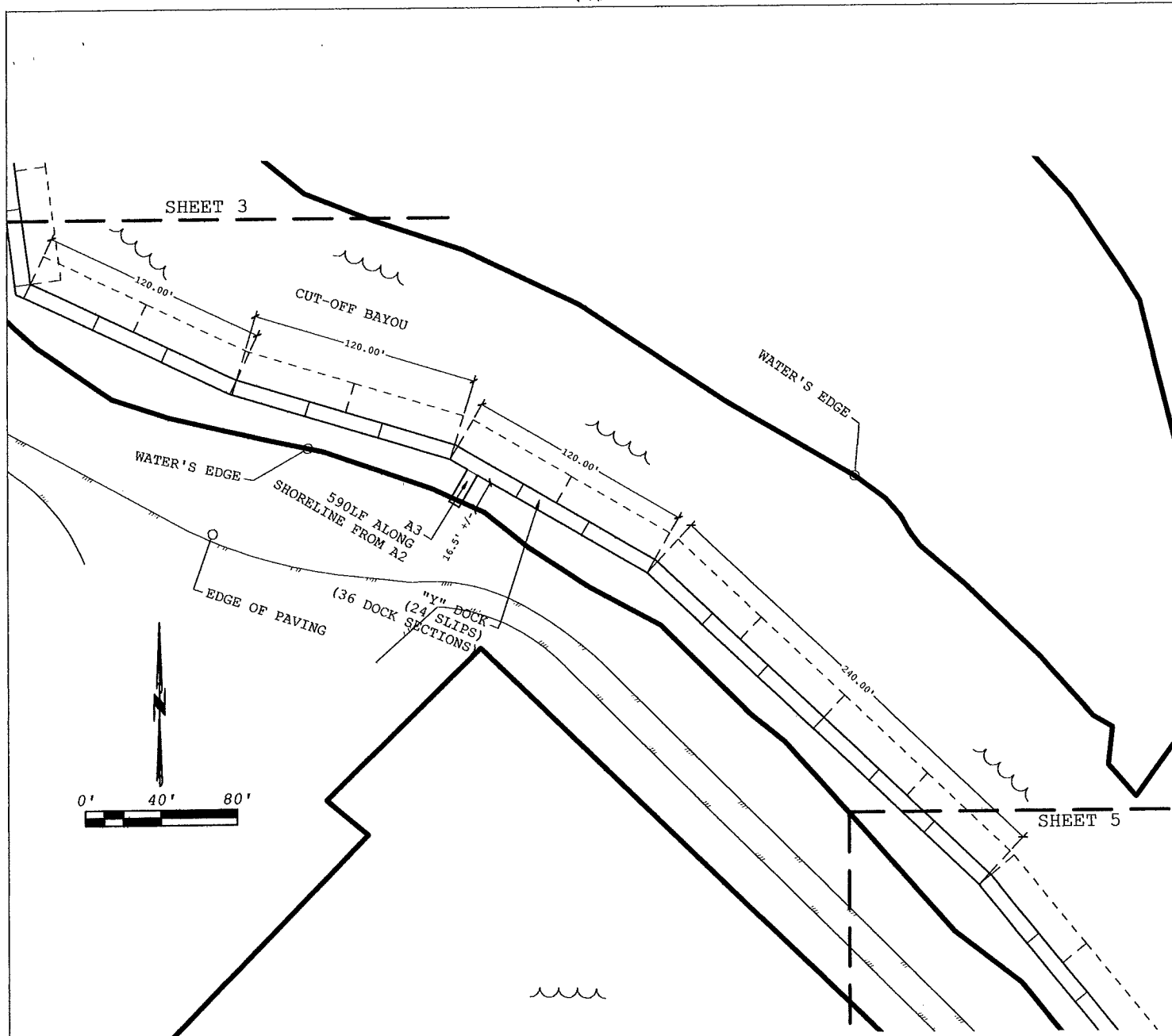


**JAMES W. GARTRELL, JR., PE, RPLS**

CONSULTING ENGINEER - SURVEYOR  
TEXAS P.E. #22590 - TEXAS R.P.L.S. #1445

**GULF COAST ENGINEERING & SURVEYING**

TBPE FIRM #4534 - TBPLS FIRM #10061900  
P.O. BOX 382 LA MARQUE, TX 77568  
409 / 935-2462 TEXAS CITY 281 / 488-6969 HOUSTON



**LEGEND**  
 FLOATING DOCK SECTIONS  
 8'X40'  
 AVERAGE SLIP  
 16'X60'

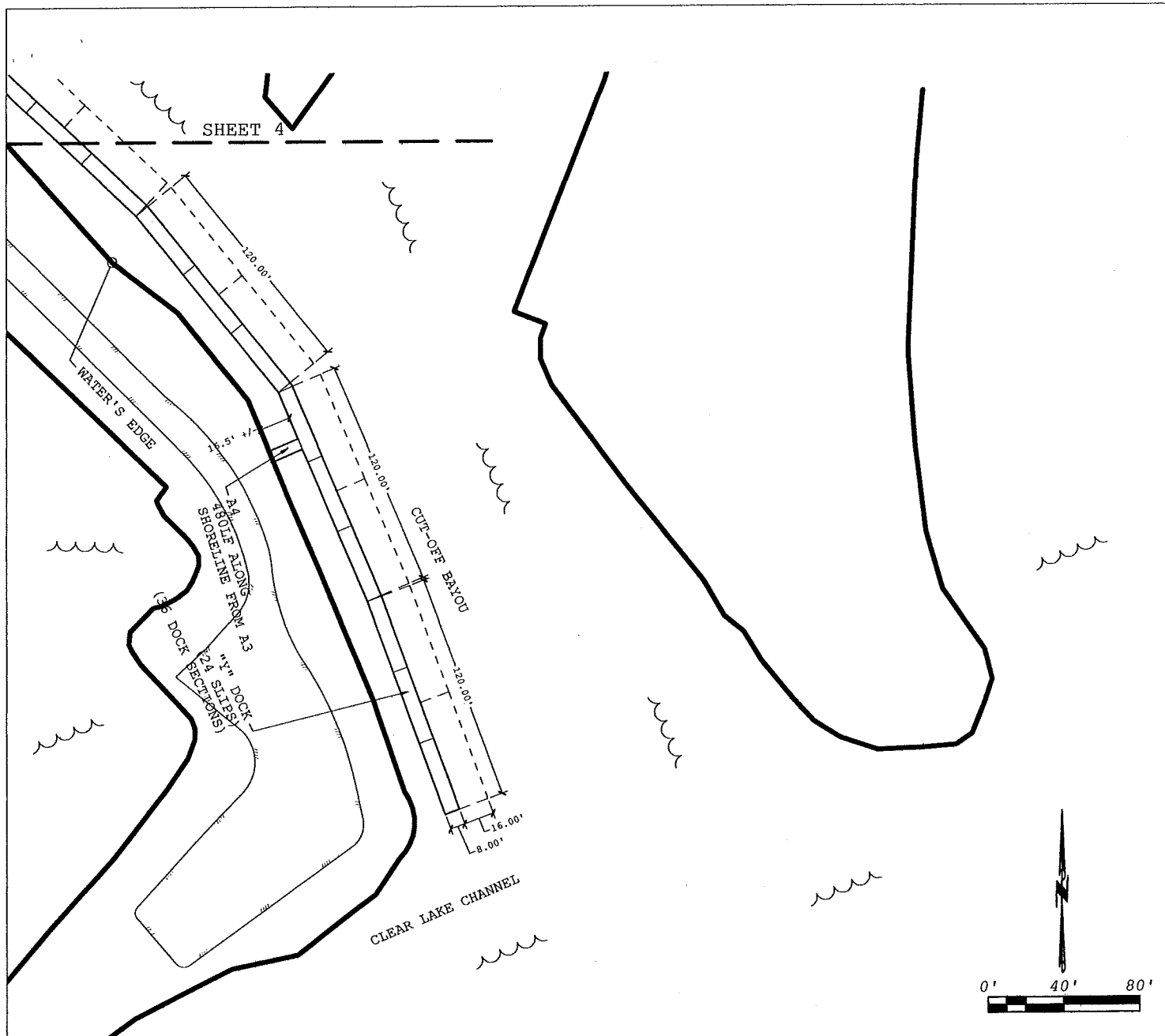
**SHEET 4**

**JAMES W. GARTRELL, JR., PE, RPLS**

CONSULTING ENGINEER - SURVEYOR  
TEXAS P.E. #22590 - TEXAS R.P.L.S. #1445

**GULF COAST ENGINEERING & SURVEYING**

TBPE FIRM #4534 - TBPLS FIRM #10061900  
P.O. BOX 382 LA MARQUE, TX 77568  
409 / 935-2462 TEXAS CITY 281 / 488-6969 HOUSTON



SHEET 4

**SHEET 5**

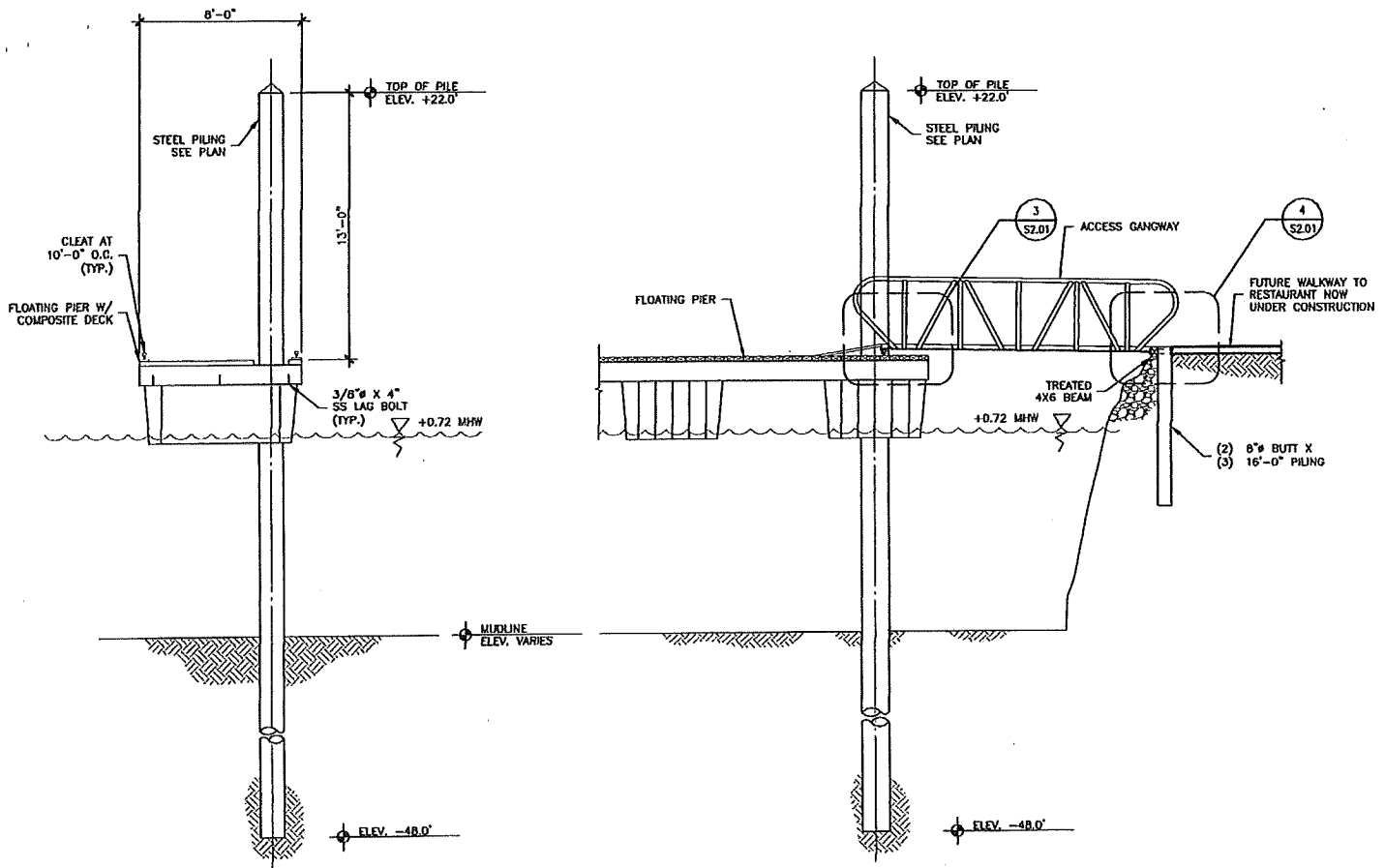
**JAMES W. GARTRELL, JR., PE, RPLS**

CONSULTING ENGINEER - SURVEYOR  
TEXAS P.E. #22590 - TEXAS R.P.L.S. #1445

**GULF COAST ENGINEERING & SURVEYING**

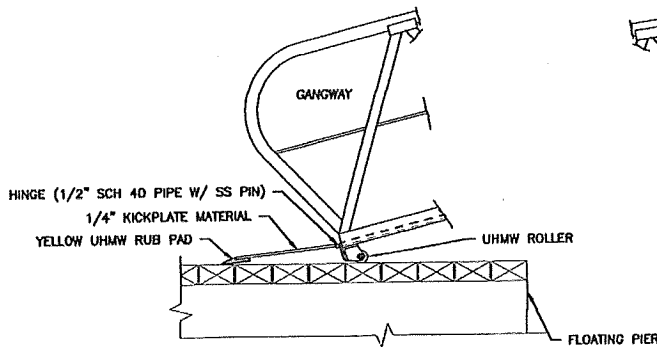
TBPE FIRM #4534 - TBPLS FIRM #10061900  
P.O. BOX 382 LA MARQUE, TX 77568  
409 / 935-2462 TEXAS CITY 281 / 488-6969 HOUSTON

AUG 27 2019

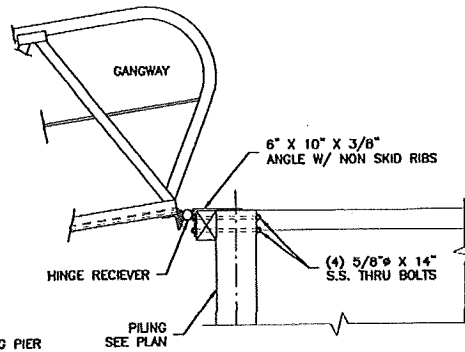


1 **FLOATING PIER SECTION**  
SCALE: 1/4"=1'-0"

2 **FLOATING PIER SECTION**  
SCALE: 1/4"=1'-0"



3 **GANGWAY DETAIL**  
SCALE: N.T.S.



4 **GANGWAY DETAIL**  
SCALE: N.T.S.

**SHEET 6**

**JAMES W. GARTRELL, JR., PE, RPLS**

CONSULTING ENGINEER - SURVEYOR  
TEXAS P.E. #22590 - TEXAS R.P.L.S. #1445

**GULF COAST ENGINEERING & SURVEYING**

TBPE FIRM #4534 - TBPLS FIRM #10061900  
P.O. BOX 382 LA MARQUE, TX 77568  
409 / 935-2462 TEXAS CITY 281 / 488-6969 HOUSTON